

## DUST COLLECTOR SCS Series





## *General Points*

The SCS is a dust collector with a mechanical “shaker”. Construction is solid and of industrial quality.

The SCS can be equipped with a centrifugal fan, with a motor ranging from 3 to 15 H.P.

The polyester needlefelt filter allows for highly efficient filtration. The fabric is specially treated to facilitate the removal of dust.

### Two modes are available :

- The SHORT HOPPER model (SCS) allows for the use of barrels to collect the dust.
- The LONG HOPPER model (SCST) allows for the installation of a rotary airlock and a container under the hopper.

The SCS dust collector is an inexpensive solution that has a multitude of applications.





## *Theory of Operation*

The dust is drawn into the dust collector where the velocity of the dust is reduced. The heaviest particles fall directly into the hopper, while the finest particles are drawn into the interior surface of the bags.

The air coming through the bag is now clean and can either be recirculated within the plant or discharged outside.

### Cleaning :

Cleaning the bags can be done with a manual shaker arm or an electrical shaker.

The frequency of cleaning depends on the quantity and type of dust particles.

**While cleaning the bags, the fan must be stopped.**

### Options :

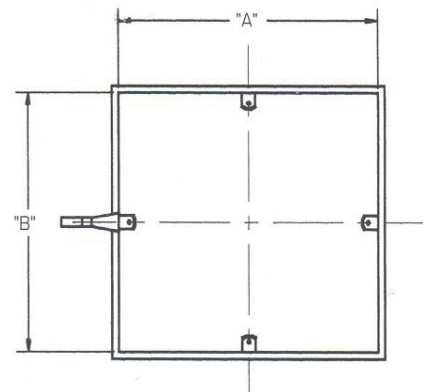
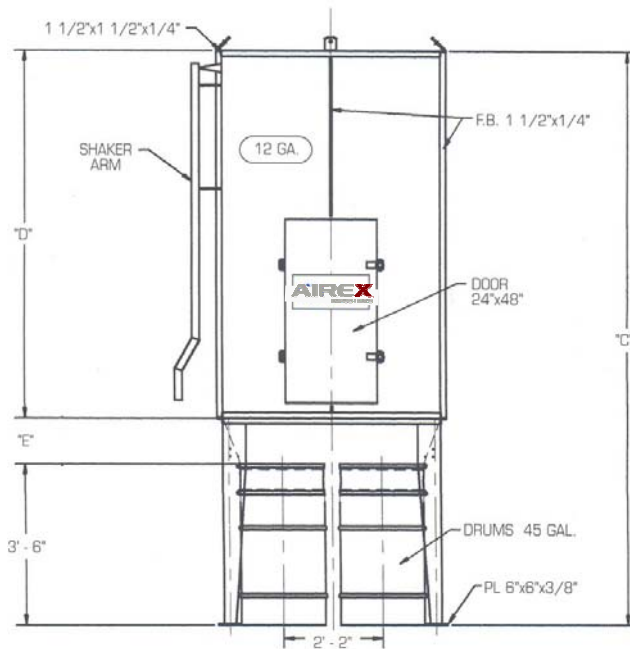
- Electric shaker;
- Prewired control panel;
- Explosion door;
- Silencer;
- Rotary airlock (on SCST model only).





## Technical Data Sheet – SCS SERIES

| MODEL               | A   | B   | C       | D   | E   | WEIGHT | BARREL |
|---------------------|-----|-----|---------|-----|-----|--------|--------|
| <b>SCS-16-100</b>   | 29" | 29" | 10'-3"  | 60" | 15" | 650    | 1      |
| <b>SCS-16-165</b>   | 29" | 29" | 13'-3"  | 96" | 15" | 800    | 1      |
| <b>SCS-25-155</b>   | 36" | 36" | 10'-3"  | 60" | 15" | 775    | 1      |
| <b>SCS-25-258</b>   | 36" | 36" | 13'-3"  | 96" | 15" | 950    | 1      |
| <b>SCS-36-223</b>   | 43" | 43" | 10'-9"  | 60" | 21" | 925    | 1      |
| <b>SCS-36-371</b>   | 43" | 43" | 13'-9"  | 96" | 21" | 1150   | 1      |
| <b>SCS-48-297</b>   | 57" | 43" | 10'-9"  | 60" | 21" | 1100   | 2      |
| <b>SCS-48-495</b>   | 57" | 43" | 13'-9"  | 96" | 21" | 1325   | 2      |
| <b>SCS-64-396</b>   | 57" | 57" | 10'-9"  | 60" | 21" | 1250   | 4      |
| <b>SCS-64-660</b>   | 57" | 57" | 13'-9"  | 96" | 21" | 1525   | 4      |
| <b>SCS-80-495</b>   | 57" | 71" | 10'-11" | 60" | 23" | 1500   | 4      |
| <b>SCS-80-825</b>   | 57" | 71" | 13'-11" | 96" | 23" | 1800   | 4      |
| <b>SCS-100-619</b>  | 71" | 71" | 10'-11" | 60" | 23" | 1700   | 4      |
| <b>SCS-100-1031</b> | 71" | 71" | 13'-11" | 96" | 23" | 2050   | 4      |



In order to have our product meet the highest technological standards, we reserve the right to modify its specifications without notice.

### HEAD OFFICE

8030, Metropolitan Blvd East  
 Montreal (QC) H1K 1A1  
 T : (514) 351-2303  
 F : (514) 352-5891

### ONTARIO DIVISION

6800, Kitimat Road, unit 32  
 Mississauga (ON) L5N 5M1  
 T : (905) 821-3674  
 F : (905) 821-4857

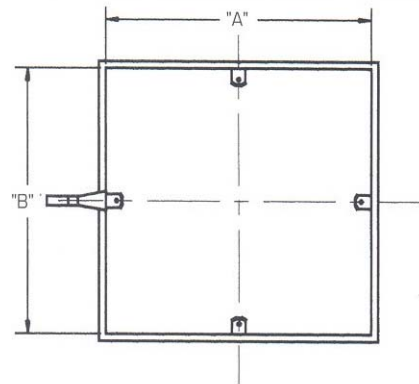
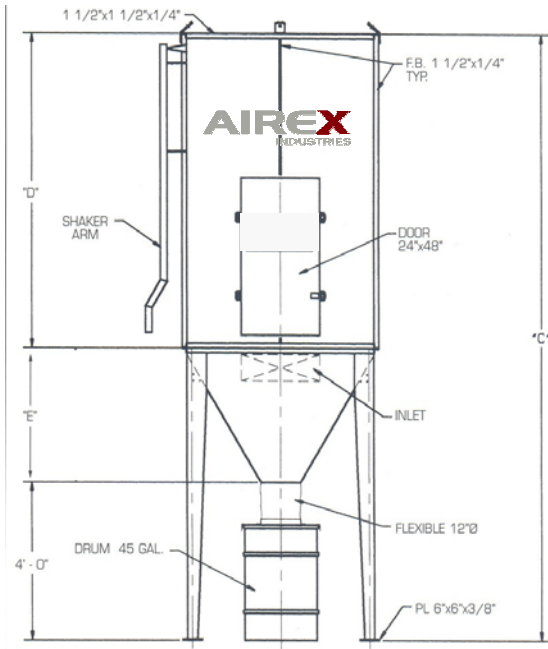
### PLANT

3025, Bernier Road  
 Drummondville (QC) J2C 6Y4  
 T : (819) 477-3030  
 F : (819) 477-3437



## Technical Data Sheet – SCST SERIES

| MODEL                | A   | B   | C       | D   | E   | WEIGHT | BARREL |
|----------------------|-----|-----|---------|-----|-----|--------|--------|
| <b>SCST-16-100</b>   | 29" | 29" | 10'-5"  | 60" | 17" | 675    | 1      |
| <b>SCST-16-165</b>   | 29" | 29" | 13'-5"  | 96" | 17" | 825    | 1      |
| <b>SCST-25-155</b>   | 36" | 36" | 10'-11" | 60" | 23" | 825    | 1      |
| <b>SCST-25-258</b>   | 36" | 36" | 13'-11" | 96" | 23" | 1000   | 1      |
| <b>SCST-36-223</b>   | 43" | 43" | 11'-5"  | 60" | 29" | 1000   | 1      |
| <b>SCST-36-371</b>   | 43" | 43" | 14'-5"  | 96" | 29" | 1225   | 1      |
| <b>SCST-48-297</b>   | 57" | 43" | 12'-5"  | 60" | 41" | 1300   | 1      |
| <b>SCST-48-495</b>   | 57" | 43" | 15'-5"  | 96" | 41" | 1525   | 1      |
| <b>SCST-64-396</b>   | 57" | 57" | 12'-5"  | 60" | 41" | 1475   | 1      |
| <b>SCST-64-660</b>   | 57" | 57" | 15'-5"  | 96" | 41" | 1750   | 1      |
| <b>SCST-80-495</b>   | 57" | 71" | 13'-5"  | 60" | 53" | 1800   | 1      |
| <b>SCST-80-825</b>   | 57" | 71" | 16'-5"  | 96" | 53" | 2100   | 1      |
| <b>SCST-100-619</b>  | 71" | 71" | 13'-5"  | 60" | 53" | 2050   | 1      |
| <b>SCST-100-1031</b> | 71" | 71" | 16'-5"  | 96" | 53" | 2400   | 1      |



In order to have our product meet the highest technological standards, we reserve the right to modify its specifications without notice.

**HEAD OFFICE**

8030, Metropolitan Blvd East  
 Montreal (QC) H1K 1A1  
 T : (514) 351-2303  
 F : (514) 352-5891

**ONTARIO DIVISION**

6800, Kitimat Road, unit 32  
 Mississauga (ON) L5N 5M1  
 T : (905) 821-3674  
 F : (905) 821-4857

**PLANT**

3025, Bernier Road  
 Drummondville (QC) J2C 6Y4  
 T : (819) 477-3030  
 F : (819) 477-3437