

AIREX

INDUSTRIES

8030 Boul. Metropolitan Est
Montreal, Quebec
H1K 1A1

T.514.351.2303
F.514.263.2303

1.800.263.2303

NU-TECH SYSTEMS LTD.

12200 – 1st Avenue
Richmond, BC V7E 3M2
604-271-9222 * Fax: 604-271-2156
Email: info@nu-techsystems.com

ADX SERIES

- ABORT DAMPER

ADX SERIES

- ABORT DAMPER

YOUR LAST LINE OF DEFENCE AGAINST FIRES
AND EXPLOSIONS BY AIREX INDUSTRIES.



AIREX ABX-26"
INDUSTRIES

GENERAL INFORMATION

The ABX Series of abort dampers by Airex Industries is the last line of defence against fires and explosions. They are used to divert, to expel air back into the atmosphere as soon as there is detection of sparks or flames and are usually installed on the return duct of a dust collection system which is channelling air back into a workshop.

In the woodworking industries, the paper industries, or wherever combustible materials are being conveyed pneumatically, fires and explosions can occur at any given moment. The ADX series by Airex Industries was designed for the added safety of all employees working in a shop floor.

ADVANTAGES

- Added safety for workers
- Helps reduce damage by preventing flames and smoke from spreading back into the workshop in case of a fire
- Helps conform to NFPA standards
- Meets OSHA requirements

ADX SERIES

YOUR LAST LINE OF DEFENCE AGAINST FIRES
AND EXPLOSIONS BY AIREX INDUSTRIES.

- ABORT DAMPER

THEORY OF OPERATION

HOW ABORT DAMPERS [ADX SERIES] WORK

Connected with a proper spark or fire detection system, the abort damper expels the air into the sky as soon as an anomaly is detected; at the sign of a spark or flame, a signal is sent to an electrical controller that releases the hinged trap door which, once dropped, will deflect everything outside, towards the atmosphere. This effectively prevents fire and smoke from spreading inwards into the workshop and limits any more possible damage.

SELECTION CRITERIA

Selection criteria for an abort damper:

- Return Air Volume

CHARACTERISTICS AND OPTIONS

APPLICATIONS

- Explosive Dust Collectors
- Fire Hazardous Dust Collectors

STANDARD CHARACTERISTICS

- Ranges in sizes from 11" to 50"
- Electronically controlled hinged drop plate
- 12 gauge industrial steel construction

OPTIONS

- No options are currently available for the ADX Series

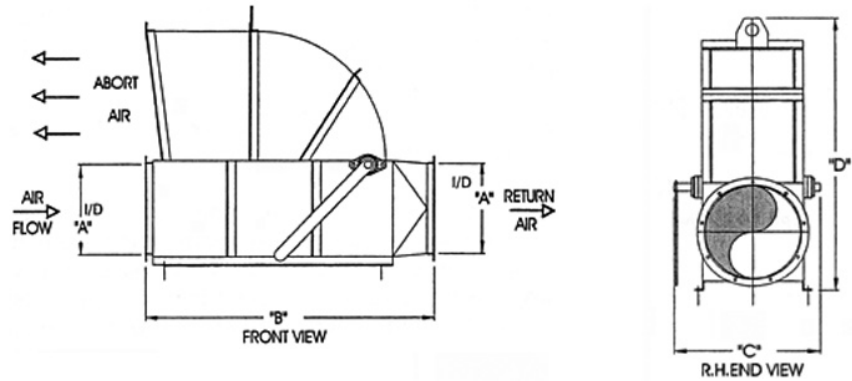
ADX SERIES

- ABORT DAMPER

YOUR LAST LINE OF DEFENCE AGAINST FIRES AND EXPLOSIONS BY AIREX INDUSTRIES.

TECHNICAL DATA SHEET

ADX SERIES - ABORT DAMPER



A Abort Damper Size *	B Overall Length (Inches)	C Overall Width (Inches)	D Overall Height (Inches)	Approx. Weight (lbs.)
11	43	20 1/2	37 3/4	195
13	47	22 1/2	41 3/4	240
15	50	24 1/2	44 3/4	290
17	54	26 1/2	49 1/4	350
19	57	26 1/4	51 1/4	425
21	62	28 1/4	57 1/4	480
23	67	30 1/4	61 1/4	545
26	74	35 1/4	66 1/4	710
29	81	38 1/4	72 1/4	825
33	91	42 1/4	80 1/4	1010
38	97	47 1/4	89 1/4	1150
42	104	51 1/4	97 1/4	1350
46	110	55 1/4	105 1/4	1480
48	107	58 1/2	114 1/4	1545