

CV21S Single Panel 8" High (200mm)

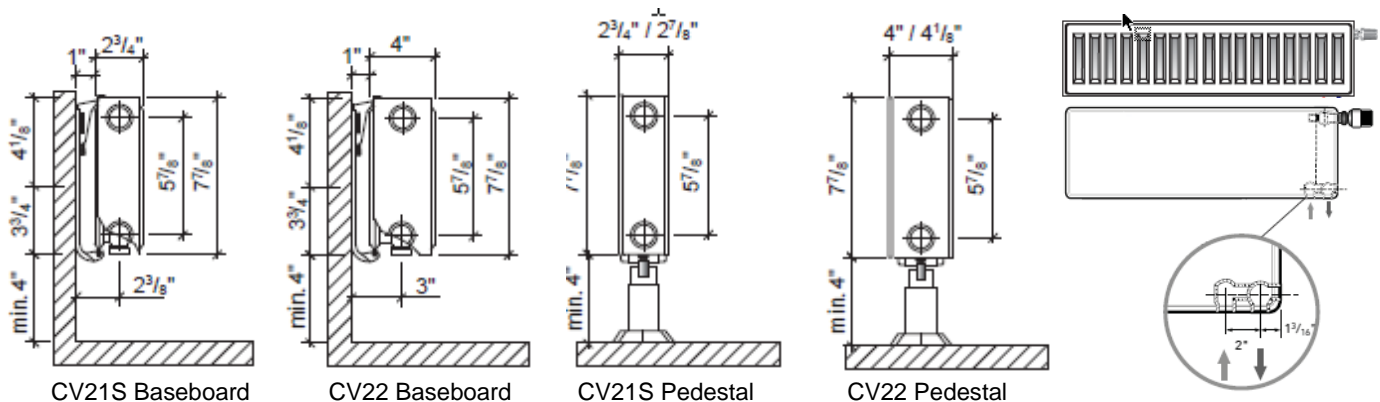
Av	Model	Length	BTUH Outputs				Ship Wt LBS	Trade Price
			180°F	160°F	140°F	120°F		
S	CV21S 200-600	24"	1,346	1,063	781	485	17	\$ 109.00
S	CV21S 200-900	36"	2,022	1,597	1,173	728	25	156.00
S	CV21S 200-1200	48"	2,698	2,131	1,565	971	33	198.00
S	CV21S 200-1600	63"	3,598	2,842	2,087	1,295	43	249.00
S	CV21S 200-2000	79"	4,496	3,552	2,608	1,619	54	293.00
S	CV21S 200-2600	103"	5,842	4,615	3,388	2,103	71	332.00

CV22 Double Panel 8" High (200mm)

Av	Model	Length	BTUH Outputs				Ship Wt LBS	Trade Price
			180°F	160°F	140°F	120°F		
S	CV22 200-600	24"	1,776	1,403	1,030	639	19	\$ 141.00
S	CV22 200-900	36"	2,668	2,108	1,547	960	28	203.00
S	CV22 200-1200	48"	3,968	3,135	2,301	1,428	38	249.00
S	CV22 200-1600	63"	4,758	3,759	2,760	1,723	49	289.00
S	CV22 200-2000	79"	5,939	4,692	3,445	2,138	62	343.00
S	CV22 200-2600	103"	7,706	6,088	4,469	2,774	80	400.00

Radiator Prices Include:

- RAL9016 white
- adjustable wall brackets
- one (1) air vent
- built-in thermostatic valve (heads sold separately)
- two (2) blind plugs
- side connections
- dual bottom connections



Av = Availability
 S = Normally Stocked
 1 - 12 = Non-Stock, normal lead time in weeks, not subject to return

All Prices are F.O.B. Toronto, Ontario
 Payment Terms 1% - 15 Days Net 30

RCV21S Single Panel 8" High (200mm)

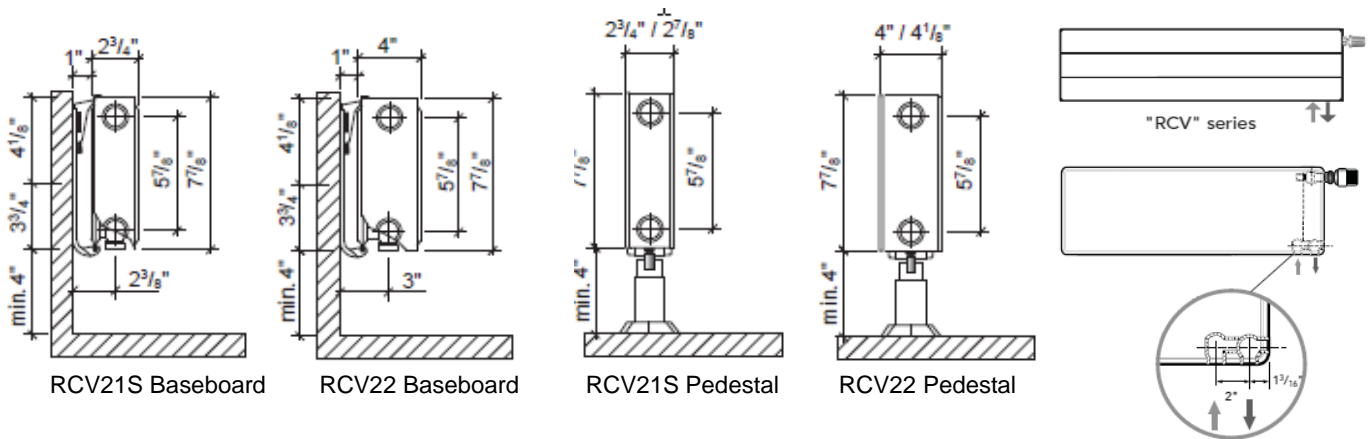
Av	Model	Length	BTUH Outputs				Ship Wt LBS	Trade Price
			180°F	160°F	140°F	120°F		
S	RCV21S 200-600	24"	1,346	1,063	781	485	17	\$ 198.00
S	RCV21S 200-900	36"	2,022	1,597	1,173	728	25	224.00
S	RCV21S 200-1200	48"	2,698	2,131	1,565	971	33	268.00
S	RCV21S 200-1600	63"	3,598	2,842	2,087	1,295	43	315.00
S	RCV21S 200-2000	79"	4,496	3,552	2,608	1,619	54	380.00
S	RCV21S 200-2600	103"	5,842	4,615	3,388	2,103	71	475.00

RCV22 Double Panel 8" High (200mm)

Av	Model	Length	BTUH Outputs				Ship Wt LBS	Trade Price
			180°F	160°F	140°F	120°F		
S	RCV22 200-600	24"	1,776	1,403	1,030	639	19	\$ 208.00
S	RCV22 200-900	36"	2,668	2,108	1,547	960	28	238.00
S	RCV22 200-1200	48"	3,968	3,135	2,301	1,428	38	287.00
S	RCV22 200-1600	63"	4,758	3,759	2,760	1,723	49	337.00
S	RCV22 200-2000	79"	5,939	4,692	3,445	2,138	62	412.00
S	RCV22 200-2600	103"	7,706	6,088	4,469	2,774	80	528.00

Radiator Prices Include:

- RAL9016 white
- adjustable wall brackets
- one (1) air vent
- built-in thermostatic valve (heads sold separately)
- two (2) blind plugs
- side connections
- dual bottom connections



Av = Availability
 S = Normally Stocked
 1 - 12 = Non-Stock, normal lead time in weeks, not subject to return

All Prices are F.O.B. Toronto, Ontario
 Payment Terms 1% - 15 Days Net 30



Panel Baseboard

A Better Option than Fin-Tube...

- Panel baseboards provide both convective and radiant heat enhancing total comfort
- Faster heat-up rate with built-in valve for smarter control (heads sold separately)
- Efficient and energy saving for your customers
- Optimal use of low temperature radiators outperforms high temperature fin-tube
- Perfect solution for low temperature systems using condensing boilers, heat pumps and solar systems
- Decorative style with finished top grille and side covers
- Higher BTUH output than fin-tube baseboard
- Outperforms the most powerful heat emitters

COMPACT
CV 21S / 22



RAMO
RCV 21S / 22



Baseboard comes packaged with:

- RAL9016 white
- adjustable wall brackets
- one (1) air vent
- built-in thermostatic valve (heads sold separately)
- two (2) blind plugs
- side connections
- dual bottom connections

Av = Availability

S = Normally Stocked

1 – 12 = Non-Stock, normal lead time in weeks, not subject to return


CV 22 Double Panel 16" High (400mm)

Av	Model	Length	BTUH Outputs				Ship Wt LBS	Trade Price
			180°F	160°F	140°F	120°F		
S	CV22 400-600	24"	3,363	2,590	1,884	1,211	29	\$ 261.00
S	CV22 400-800	32"	4,484	3,453	2,511	1,614	39	300.00
S	CV22 400-1000	40"	5,506	4,317	3,140	1,982	48	334.00
S	CV22 400-1200	48"	6,727	5,180	3,767	2,422	58	372.00
S	CV22 400-1400	56"	7,848	6,043	4,395	2,825	68	411.00

CV 22 Double Panel 24" High (600mm)

Av	Model	Length	BTUH Outputs				Ship Wt LBS	Trade Price
			180°F	160°F	140°F	120°F		
S	CV22 600-400	16"	3,047	2,346	1,706	1,097	36	\$ 261.00
S	CV22 600-600	24"	4,570	3,519	2,559	1,645	54	278.00
S	CV22 600-800	32"	6,094	4,692	3,412	2,194	72	321.00
S	CV22 600-1000	40"	7,617	5,865	4,265	2,742	90	364.00
S	CV22 600-1200	48"	9,140	7,038	5,119	3,290	108	407.00
S	CV22 600-1600	63"	12,187	9,384	6,825	4,387	144	467.00

Radiator Prices Include:

- RAL9016 white
- adjustable wall brackets
- one (1) air vent
- built-in thermostatic valve (heads sold separately)
- two (2) blind plugs
- side connections
- dual bottom connections

Av = Availability

S = Normally Stocked

1 - 12 = Non-Stock, normal lead time in weeks, not subject to return

All Prices are F.O.B. Toronto, Ontario
Payment Terms 1% - 15 Days Net 30


RCV 22 Double Panel 16" High (400mm)

Av	Model	Length	BTUH Outputs				Ship Wt LBS	Trade Price
			180°F	160°F	140°F	120°F		
S	RCV22 400-600	24"	3,363	2,590	1,884	1,211	36	\$ 321.00
S	RCV22 400-800	32"	4,484	3,453	2,511	1,614	48	360.00
S	RCV22 400-1000	40"	5,506	4,317	3,140	1,982	60	398.00
S	RCV22 400-1200	48"	6,727	5,180	3,767	2,422	72	449.00
S	RCV22 400-1400	56"	7,848	6,043	4,395	2,825	84	514.00
S	RCV22 400-1600	63"	8,969	6,906	5,023	3,229	96	578.00

RCV 22 Double Panel 24" High (600mm)

Av	Model	Length	BTUH Outputs				Ship Wt LBS	Trade Price
			180°F	160°F	140°F	120°F		
S	RCV22 600-600	24"	4,570	3,519	2,559	1,645	54	\$ 368.00
S	RCV22 600-800	32"	6,094	4,692	3,412	2,194	72	411.00
S	RCV22 600-1000	40"	7,617	5,865	4,265	2,742	90	454.00
S	RCV22 600-1200	48"	9,140	7,038	5,119	3,290	108	535.00
S	RCV22 600-1600	63"	12,187	9,384	6,825	4,387	144	702.00

Radiator Prices Include:

- RAL9016 white
- adjustable wall brackets
- one (1) air vent
- built-in thermostatic valve (heads sold separately)
- two (2) blind plugs
- side connections
- dual bottom connections

Av = Availability

S = Normally Stocked

1 – 12 = Non-Stock, normal lead time in weeks, not subject to return

All Prices are F.O.B. Toronto, Ontario
 Payment Terms 1% - 15 Days Net 30



Panel Radiators

Vastly Superior to Fin-Tube Convection...

- Panel radiators provide both convective and radiant heat enhancing total comfort
- Faster heat-up rate with built-in valve for smarter control (heads sold separately)
- Efficient and energy saving for your customers
- Optimal use of low temperature radiators outperforms high temperature fin-tube
- Perfect solution for low temperature systems using condensing boilers, heat pumps and solar systems
- Decorative style with finished top grille and side covers
- Higher BTUH output than fin-tube convectors
- Outperforms the most powerful heat emitters

COMPACT
CV 22



RAMO
RCV 22



Radiator comes packaged with:

- RAL9016 white
- adjustable wall brackets
- one (1) air vent
- built-in thermostatic valve (heads sold separately)
- two (2) blind plugs
- side connections
- dual bottom connections

Av = Availability
S = Normally Stocked
1 - 12 = Non-Stock, normal lead time in weeks, not subject to return

All Prices are F.O.B. Toronto, Ontario
Payment Terms 1% - 15 Days Net 30



Radiator Valves:

Av	Model	Description	Trade Price
S	2TRV 1/2AN	½" Standard Vertical Angle Body	\$ 38.00
S	2TRV 1/2SN	½" Standard Straight Body	38.00
S	2TRV 2HD	Standard TRV Head	\$ 42.00
S	LKD 16AN	½" Manual Angle Valve	\$ 42.00
S	LKD 16SN	½" Manual Straight Valve	42.00

Adapter Fittings:

Av	Model	Description	Trade Price
S	164-68-50	½" PEX Adapters (pair)	\$ 27.00
S	101-68-44	½" Copper Compression Adapters (pair)	30.00
S	102-82-53	½" x ¾" Male Adapters for PEX and Copper Adapters (pair)	19.00
S	HV - A	Twin Entry By-Pass Valve - Angle	\$ 66.00
S	HV - S	Twin Entry By-Pass Valve - Straight	66.00

Floor Mount:

Av	Model	Description	Trade Price
2	FLRM201	Floor Mount 21	\$ 56.00
2	FLRM202	Floor Mount 22	60.00

Radiator Brackets:

Av	Model	Description	Trade Price
S	MNCLK200	Wall Bracket 21/22 (1 Pair)	\$ 30.00
S	MNCLK400	Wall Bracket 21/22 (1 Pair)	36.00
S	MNCLK600	Wall Bracket 21/22 (1 Pair)	42.00

Miscellaneous:

Av	Model	Description	Trade Price
S	PC8CH	Chrome Pipecover 8" (Qty 10)	\$ 56.00
S	PC8WH	White Pipecover 8" (Qty 10)	42.00
S	ESCC	Chrome Pipe Escutcheon (Qty 10)	28.00
S	ESCW	White Pipe Escutcheon (Qty 10)	15.00
S	PR-Cover	Escutcheon Cover	17.00
S	S-81-0272	RAL9016 White Touch Up Paint	24.00

Av = Availability

S = Normally Stocked

1 - 12 = Non-Stock, normal lead time in weeks, not subject to return



Kickspace Heaters – Hydronic

Av	Model	Description	Ship Wt. Lbs.	Trade Price
S	Whispa III 5000	3,589 to 5,443 Btuh with 3' plug-in cord	10	\$ 479.00
S	Whispa III 7000	5,335 to 7,534 Btuh with 3' plug-in cord	12	538.00
S	Whispa III 9000	6,718 to 9,949 Btuh with 3' plug-in cord	14	581.00
S	EZ Hose Kit	30" Hoses with 1/2" Compression Fittings and Shaft Ball Valves (qty 2)	3	287.00

Recessed Wall and Floor Series

Av	Model	Description	Ship Wt. Lbs.	Trade Price
S	Whispa III 5000 WM	3,589 to 5,443 Btuh, Wall Mount	16	\$ 640.00
S	Whispa III 9000 WM	6,718 to 9,949 Btuh, Wall Mount	25	782.00
S	Whispa III 5000 FM	3,589 to 5,443 Btuh, Floor Mount	16	712.00

RCU “All-One-Unit” Commercial Wall Series

Recessed Wall Unit with 24V Transformer, Solenoid Valve, Flow Control and Purge Valve

Av	Model	Description	Ship Wt. Lbs.	Trade Price
S	Whispa III 5000 RCU	3,589 to 5,443 Btuh, Wall Mount	28	\$ 1,020.00
S	Whispa III 9000 RCU	6,718 to 9,949 Btuh, Wall Mount	35	1,216.00
S	Whispa III 12000 RCU	1,760 to 12,149 Btuh, Wall Mount	48	1,354.00

Av = Availability

S = Normally Stocked

1 – 12 = Non-Stock, normal lead time in weeks, not subject to return

All Prices are F.O.B. Toronto, Ontario
Payment Terms 1% - 15 Days Net 30



iVector 2 Pipe (Height 23 5/8", Depth 6")

Wall Mount Single Circuit Coil for Heating / Cooling with Programmable Controls

Av	Model	Length	Heating Cap. Btuh	Cooling Cap. Btuh	Ship Wt. Lbs.	Trade Price
S	IV60 x 80 – 2	31-1/2"	8,423 to 14,874	2,412 to 5,623	51	\$ 1,854.00
S	IV60 x 100 – 2	39-3/8"	11,531 to 20,593	3,450 to 7,861	66	1,990.00
S	IV60 x 120 – 2	47-1/4"	13,919 to 26,323	5,186 to 9,956	74	2,227.00
S	IV60 x 140 – 2	55-1/8"	16,364 to 31,755	5,084 to 12,055	84	2,561.00
S	IV60 x 160 – 2	63"	18,864 to 37,178	5,899 to 14,150	95	2,753.00

iVector 4 Pipe (Height 23 5/8", Depth 6")

Wall Mount Dual Circuit Coils for Heating / Cooling with Programmable Controls

Av	Model	Length	Heating Cap. Btuh	Cooling Cap. Btuh	Ship Wt. Lbs.	Trade Price
12	IV60 x 80 – 4	31-1/2"	5,961 to 10,613	2,292 to 5,342	56	\$ 2,127.00
12	IV60 x 100 – 4	39-3/8"	8,116 to 14,557	3,277 to 7,468	71	2,263.00
12	IV60 x 120 – 4	47-1/4"	9,717 to 18,340	4,927 to 9,458	80	2,564.00
12	IV60 x 140 – 4	55-1/8"	11,404 to 22,040	4,830 to 11,452	91	2,801.00
12	IV60 x 160 – 4	63"	13,125 to 26,820	5,604 to 13,442	104	3,120.00

Wall Mount Designer Series (Heat / Cool)

With Modulating 3-Speed Blower, Electronic Control Board and Remote Control

Av	Hi – Line HC RC (H 14-1/4", D 6-11/16")	Width	Heating Max Btuh	Cooling Max Btuh	Ship Wt. Lbs.	Trade Price
S	HL HC 7 – 4 RC	21-13/16"	7,851	1,941	31	\$ 1,244.00
S	HL HC 10 – 6 RC	26-7/8"	11,388	4,091	35	1,341.00
S	HL HC 15 – 10 RC	34-15/16"	16,188	5,767	41	1,421.00
S	HL HC 20 – 14 RC	56-1/8"	21,094	6,998	49	1,764.00
Av	Lo – Line HC RC (H 15-1/4", D 5-1/8")	Width	Heating Max Btuh	Cooling Max Btuh	Ship Wt. Lbs.	Trade Price
S	LL HC 6 – 4 RC	19-1/2"	6,531	2,435	31	\$ 1,361.00
S	LL HC 9 – 6 RC	24-1/4"	9,994	3,564	35	1,389.00
S	LL HC 14 – 10 RC	32-1/2"	15,052	5,315	42	1,601.00
S	LL HC 19 – 15 RC	43-5/8"	19,637	6,425	50	1,924.00

Av = Availability

S = Normally Stocked

1 – 12 = Non-Stock, normal lead time in weeks, not subject to return

All Prices are F.O.B. Toronto, Ontario
Payment Terms 1% - 15 Days Net 30

Steel Construction (for closed loop systems only)

COS Straight Ladder Rail Towel Warmers

Av	Model	BTUH	Height	Width	Trade Price	
					Chrome	White
S	COS 85	1,302	37"	20"	\$ 1,092.00	\$ 785.00
S	COS 86	1,525	37"	24"	1,118.00	820.00
S	COS 125	1,804	51"	20"	1,166.00	976.00
S	COS 126	2,120	51"	24"	1,269.00	1,009.00

COC Curved Ladder Rail Towel Warmers

Av	Model	BTUH	Height	Width	Trade Price	
					Chrome	White
S	COC 85	1,302	37"	20"	\$ 1,170.00	\$ 862.00
S	COC 86	1,525	37"	24"	1,190.00	875.00
S	COC 125	1,804	51"	20"	1,249.00	1,025.00
S	COC 126	2,120	51"	24"	1,285.00	1,042.00

Recommended Accessories:

Av	Model	Description	Trade Price
S	STDVKIT	Standard Valve Set (2 Valves) – Angle Chrome Body	\$ 174.00
S	V16ACH	Modern Valve Set (2 Valves) – Angle Chrome	420.00
S	V16AWH	Modern Valve Set (2 Valves) – Angle White	367.00
S	SK16 CH	Sleeve Kit – Chrome	138.00
S	SK16 WH	Sleeve Kit – White	132.00

We recommend a valve set and a sleeve kit with all hydronic towel warmers.

Av = Availability

S = Normally Stocked

1 – 12 = Non-Stock, normal lead time in weeks, not subject to return

All Prices are F.O.B. Toronto, Ontario
 Payment Terms 1% - 15 Days Net 30



Classic Comfort Towel Warmers

Av	Model	Watts	Height	Width	Finish	Trade Price
S	EECOSH 85 WH	200	39"	21"	White	\$ 1,606.00
S	EECOSH 85 CH	200	39"	21"	Chrome	1,532.00

Gem Series Towel Warmers (on SALE)

Av	Model	Watts	Height	Width	Finish	Trade Price
S	FPRL08 B	150	36"	24"	Bright	\$ 399.00
S	FPRL08 M	150	36"	24"	Matte	399.00
S	WDIA05 B	40	17"	20"	Bright	\$ 416.00
S	WDIA05 M	40	17"	20"	Matte	416.00
S	WDIA08 M	130	30"	20"	Matte	464.00
S	WDIA12 M	195	46"	20"	Matte	610.00
S	WPRL08 B	150	30"	24"	Bright	\$ 358.00
S	WPRL08 M	150	30"	24"	Matte	358.00
S	WPRL10 B	185	37"	24"	Bright	416.00
S	WPRL10 M	185	37"	24"	Matte	416.00
S	WRBY04 B	45	16"	24"	Bright	\$ 555.00
S	WRBY04 M	45	16"	24"	Matte	555.00
S	WRBY10 B	120	46"	24"	Bright	833.00
S	WRBY10 M	120	46"	24"	Matte	833.00

For total selection visit www.mysoncomfort.com

Av = Availability
 S = Normally Stocked
 1 - 12 = Non-Stock, normal lead time in weeks, not subject to return



Qty Avail.	Model	BTUH @ 180°F	Height	Width	Special Net Each
2	SX 30 100VN	3,095	12"	40"	\$ 74.00
4	SX 30 140VN	4,333	12"	56"	93.00
2	SX 30 160VN	4,976	12"	63"	102.00
2	SX 30 180VN	5,570	12"	71"	114.00
2	SX 30 80VN	2,487	12"	32"	64.00
4	SX 40 100VN	3,965	16"	40"	81.00
2	SX 40 120VN	4,758	16"	48"	122.00
1	SX 40 160VN	6,344	16"	63"	134.00
2	SX 40 80VN	3,172	16"	32"	70.00
1	SX 40 90VN	3,568	16"	37"	75.00
1	SX 70 140VN	8,871	30"	56"	147.00
3	SX 70 70VN	4,435	30"	29"	88.00
1	SX 70 80VN	5,069	30"	32"	96.00
4	3H11060-VN	1,558	9"	24"	\$ 166.00
1	3H11220-VN	5,724	9"	87"	238.00
3	4H11060-VN	1,940	12"	24"	182.00
1	4H11220-VN	7,144	12"	87"	288.00
2	6H11060-VN	2,887	17"	24"	235.00
4	CV21-1000	2,248	8"	40"	\$ 60.00
19	CV21-1800	4,046	8"	71"	98.00
11	CV21-2300	5,172	8"	91"	108.00
1	CV22-1800	5,336	8"	71"	111.00
1	RCV21-800	1,796	8"	32"	\$ 75.00
1	RCV21-1000	2,248	8"	40"	81.00
2	RCV21-1100	2,472	8"	44"	88.00
2	RCV21-1400	3,147	8"	56"	99.00
1	RCV21-2300	5,172	8"	91"	152.00
1	RCV21-3000	6,742	8"	119"	192.00

*All brand new product, in original packaging with full warranty. RAL9016 White finish *

Av = Availability

S = Normally Stocked

1 - 12 = Non-Stock, normal lead time in weeks, not subject to return

All Prices are F.O.B. Toronto, Ontario
Payment Terms 1% - 15 Days Net 30