

FENIX™



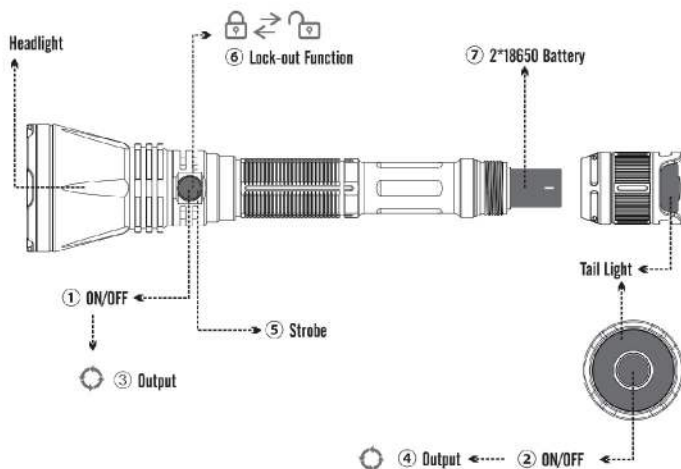
TK47 ULTIMATE EDITION



MAX 3200 LUMENS

DUAL-PURPOSE AND HIGH-PERFORMANCE

MAX 408 METERS



FENIXLIGHT LIMITED

Tel: +86-755-28631163/83193 Fax: +86-755-29931181  
www.fenixlight.com E-mail: info@fenixlight.com  
Address: 8/F, 2nd Building, DongFangMing Industrial Center,  
33rd District, Bao'an, Shenzhen 518133, China

61-122-391 014-A0-20161213

(ENGLISH) FENIX TK47UE FLASHLIGHT

- Headlight: Cree XHP70 LED with a lifespan of 50,000 hours  
Tail light: Quality white LED, red LED and diffuser top design
- Powered by two 18650 rechargeable Li-Ion batteries
- 256.2mm Length x 61.5mm Head Diameter x 28.6mm Body Diameter
- 365 grams (including batteries)
- Dual independent light source that can be used simultaneously
- Headlight with high output of 3200 lumens and 408m beam distance
- Eightly regulated output maintains constant brightness
- The headlight features lockout function
- Reverse polarity protection, to protect their improper battery insertion
- Intelligent overheat protection to avoid high surface temperature
- Featuring low voltage downshift function
- Made of durable aircraft-grade aluminum
- Premium type III hard-anodized anti-abrasive finish
- Toughened ultra-clear glass lens with an anti-reflective coating

BATTERY SPECIFICATIONS

TYPE	DIMENSIONS	NOMINAL VOLTAGE	USABILITY
Fenix AHR-118 Series	18650	3.6V/3.7V	Recommended
Rechargeable Battery (Li-Ion)	18650	3.6V/3.7V	Cautious*

Warning: 1. Do not use batteries of different brands, sizes, capacities or types. Never use new cause damage to the flashlight or the batteries being used. 2. CR2032 battery can be used in emergency, while the output will downshift a 10% lit.

\*18650 Li-Ion batteries are powerful cells designed for commercial applications and must be treated with caution and handled with care. Quality batteries with correct protection will reduce the potential for combustion or explosion but still damage or short-circuiting an electrical rated the user assumes.

OPERATION INSTRUCTION

ON/OFF

- ① In unlocked status, press and hold the side switch for 0.5 seconds to turn on/off the headlight.
- ② Press and hold the tail switch for 0.5 seconds to turn on/off the tail light.

OUTPUT SELECTION

- ③ Headlight: When the headlight is on, single click the side switch to cycle through Turbo→Eco→Low→Med→High.
- ④ Tail light: When the tail light is on, single click the tail switch to cycle through White light→Red light→Red flash→Red SOS.

⑤ STROBE

In unlocked status, press and hold the tail switch for 1.5 seconds to activate Strobe. Single click the side switch once again, the light will return to General brightness.

⑥ LOCKOUT FUNCTION

Lock: When the headlight is off and unlocked, double click the side switch, the light will blink at Low twice, indicating the headlight is locked.

Unlock: When the headlight is off and locked, double click the side switch, the light will be unlocked and turned on the last used output level.

Note: In locked status, the light only responds to unlocking operation: single click the side switch, the headlight will blink twice to remind the light is under a locked status.

INTELLIGENT MEMORY CIRCUIT

The headlight remembers the last brightness level used in the General mode. The next time it is turned on, it will recall the previously used General brightness level.

The tail light is defaulted on white light each time it is turned on again.

INTELLIGENT OVERHEAT PROTECTION

The light will automatically shut off a lot of heat when used at Turbo actual level for extended periods. When the light reaches a temperature of 65°C or above, the light will automatically step down by a few lumens to reduce temperature. When the temperature is reduced, the output will gradually return to Turbo output level.

LOW-VOLTAGE DOWNSHIFT FUNCTION

When the voltage level drops below the present level in working condition, the flashlight will start downshifting to lower brightness levels until Low output is reached, in order to remind you to replace the batteries. To assure normal use, the light will not turn off and will work until the over-discharge function stops the battery from working.

ANSI / PLATO FLI

	HEADLIGHT					TAIL LIGHT				
	GENERAL MODE					STROBE	WHITE LIGHT	RED LIGHT	RED FLASH	RED SOS
	TURBO	HIGH	MED	LOW	ECCO					
OUTPUT	1200 Lumens	1000 Lumens	300 Lumens	100 Lumens	20 Lumens	2200 Lumens	300 Lumens	1.5 Lumens	1.5 Lumens	1.5 Lumens
BURN TIME	3h*	3h-30min	1h-20min	40m	15h	/	4h-30min	15h	/	/
DISTANCE	400m	230m	100m	60m	3m	/	/**	/	/	/
INTENSITY	41,600cd	11,470cd	4,200cd	1,200cd	240cd	/	/	/	/	/
IMPACT RESISTANCE	1m									
WATER RESISTANCE	IP68, underwater 2 meters									
ACCESSORIES	Lanyard, Molle, spare O-ring									

Notes: The above-mentioned parameters (all tested by Fenix using two 3.6V/3300mAh rechargeable 18650 Li-Ion batteries) may vary between flashlight, batteries and environments.

\*Due to the intelligent overheat protection, the runtime of Turbo is estimated.

\*\*Tail light with a wide-range beam diameter

USAGE AND MAINTENANCE

- Disassembling the sealed head can cause damage to the light and void the warranty.
- Peak recommends using excellent quality battery.
- If the light will not be used for an extended period, remove the battery, or the light could be damaged by electrolyte leakage or battery explosion.
- Long-term use can result in O-ring wear. To maintain a proper water seal, replace the ring with an approved spare.
- Periodic cleaning of the battery contacts improves the lamp's performance so dirty contacts may cause the lamp to flicker, shine intermittently or even fail to illuminate for the following reasons:  
A. The batteries need replacing.  
Solution: Replace batteries (Ensure batteries are inserted according to the manufacturer's specifications).  
B. The threads, PCB board contact or other contacts are dirty.  
Solution: Clean the contact points with a cotton swab soaked in rubbing alcohol.  
If the above methods don't work, please refer to the warranty policy before contacting your authorized distributor.

⑦ BATTERY REPLACEMENT

Remove the tail cap to insert the battery with the anode (+) towards the light head, then screw the tail cap lock up.

WARNING

The flashlight is a high-intensity lighting device capable of causing eye damage to the user or others. Avoid shining the flashlight directly into anyone's eyes.