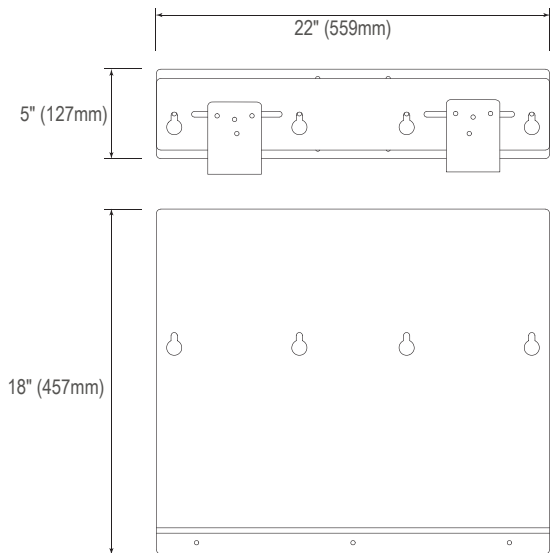


PlaneView

PlaneView is ideal for architects, engineers, anyone who needs to access and refer to large format documents. Free your workspace from large, awkward, or oversized documents, engineering drawings, and blueprints - hang them vertically with the PlaneView. Now you can work comfortably, placing your documents where you need them, and move them out of the way when not in use.

Features

- choose between clamp, grommet, wall, and slatwall mounting hardware
- simple to operate height adjustment lever
- height and angle adjustable
- 22" width, custom sizes may be available, contact customer service for more details
- can be adjusted to drop below desk surface
- supports up to 26 lbs (11 kgs) of documents
- the document clip rail attaches to PlaneView using 4 keyholes for quick and easy document hanging
- the full size easel attaches to PlaneView using same 4 keyholes for quick and easy transition to full easel mode
- can be combined with other components of "EA WorkPod" to form a fully customized working cluster



PlaneView Holder Models

	Model #	List Price
clip	DHL-MS-CLIP22	\$735
SightLine dual segment arm (tall pole) with accessory bar and 22" Clip section		
easel	DHL-MS-EAS2218	\$870
SightLine dual segment arm (tall pole) with accessory bar and 22" x 18" easel section		
clip & easel	DHL-MS-CLIP22-EAS2218	\$1080
SightLine dual segment arm (long pole) with accessory bar and 22" Clip section and 22" x 18" easel section		



the document clip rail attaches to PlaneVu using 4 keyholes for quick and easy document hanging

can be combined with other components of "EA WorkPod" to form a fully customized working cluster

