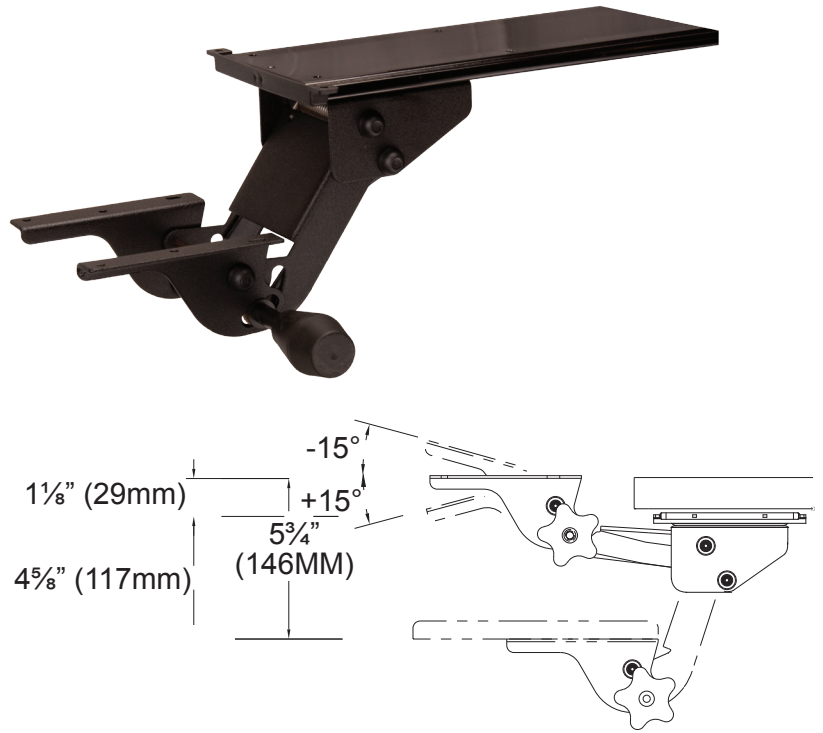


## KVS18 Advantages:

- Patented design offers a total travel range of 5¾" (146 mm)
- Tilt adjustment ( $\pm 15^\circ$ )
- Slim profile allows for maximum knee clearance when in use or retracted
- Single knob sets both height & tilt of keyboard tray
- 360° rear swivel for optimal keyboard tray positioning and easy storage
- To unlock and adjust the arm, simply turn adjustment knob counter-clockwise, find preferred position, and tighten to lock
- Available in durable black powder coat
- Installation hardware and instructions included
- Exceeds ANSI/BIFMA X5.5, 1998 industry performance standard
- Lifetime warranty



## KVS18 SPECIFICATIONS

HEIGHT ADJUSTMENT	
UP	1 1/8" (3 mm)
DOWN	4 5/8" (117 mm)
TOTAL	5 3/4" (120 mm)
HEIGHT SET	KNOB
$\pm 15^\circ$ TILT SET BY	KNOB
360° SWIVEL	YES
FULLY RETRACTABLE	YES, 17 3/4" (450 mm) STANDARD
ANSI/BIFMA X5.5 1998	YES, EXCEEDS
MATERIAL	STEEL
FINISH	TEXTURED BLACK POWDER COAT

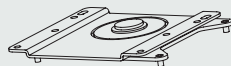
## TRACK OPTIONS



17 3/4" (450 mm) GLIDE TRACK PROVIDES COMPLETE RETRACTABILITY  
NON-STANDARD TRACK LENGTHS ARE AVAILABLE UPON REQUEST

TRACKS CAN BE CUT ON SITE WITH PROPER HAND TOOLS TO ADJUST  
FOR DIFFERENT MOUNTING CONDITIONS

## FRONT SWIVEL OPTION 25396



OPTIONAL FRONT SWIVEL TURNS THE EASYRISER™ INTO A  
DUAL SWIVEL™ FOR INCREASED MOBILITY.

