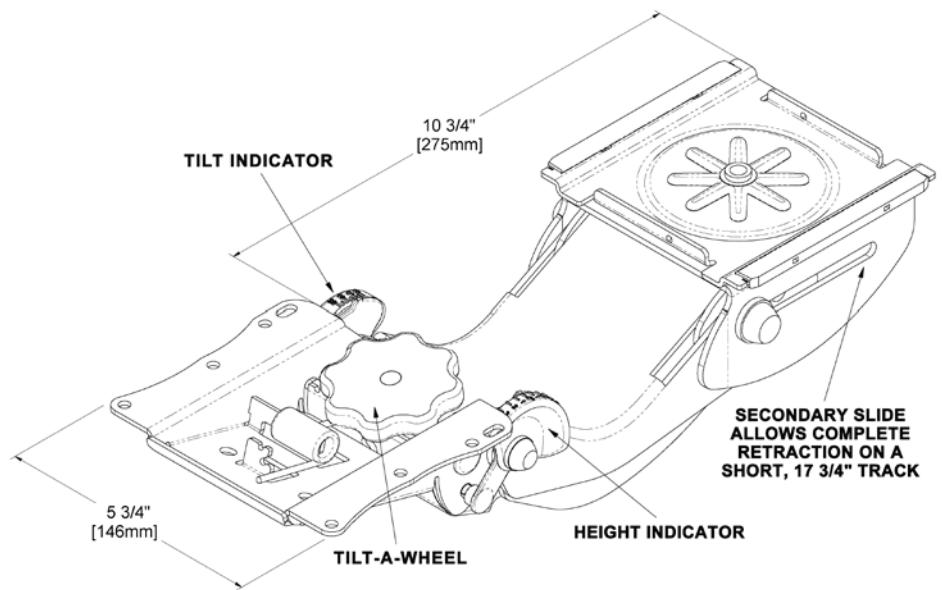


Houdini™ Advantages:

- Patented design works on both corner work surfaces and short returns by working like an extended mechanism but stowing like a short arm (CornerShaper™ is needed for 90° corners)
- Position indicators for both height and tilt are practical and attractive
- Soft-touch wheel allows convenient, stable, one-hand tilt adjustment
- Provides a total travel range of 8" (5" below work surface; 3" above)
- Offers maximum seated flexibility, with a full 20° negative tilt and 10° positive tilt
- "Lift and release" height adjustment is effortless and secure
- 360° rear swivel provides additional keyboard tray positioning
- Slim profile maximizes knee clearance when in use or retracted
- Exceeds the ANSI/BIFMA X5.5-1998 industry performance standard



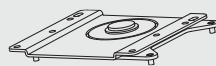
HOUDINI™ SPECIFICATIONS

HEIGHT ADJUSTMENT	
UP	3" (76 mm)
DOWN	5" (127 mm)
TOTAL	8" (203 mm)
HEIGHT SET BY	LIFT AND RELEASE
HEIGHT INDICATOR	YES
+10° / -20° TILT SET BY	SOFT TOUCH WHEEL
TILT INDICATOR	YES
REAR SWIVEL	360°
FULLY RETRACTABLE	YES, ON 17 3/4" TRACK (INCLUDED)
ANSI/BIFMA X5.5-1998	YES, EXCEEDS
MATERIAL	STEEL
FINISH	BLACK, SILVER OR WHITE TEXTURED POWDERCOAT

NEGATIVE-TILT ONLY

AVAILABLE WITH ALL HOUDINI TRAY SETS, A "POSITIVE TILT LOCKOUT PIN" CAN BE EITHER FACTORY OR FIELD INSTALLED SO ARM OPERATES ONLY IN THE NEGATIVE TILT DIRECTION. INDICATE "NEGATIVE TILT ONLY" ON YOUR ORDER.

FRONT SWIVEL OPTION 25396



OPTIONAL FRONT SWIVEL TURNS THE HOUDINI INTO A DUALSWIVEL FOR INCREASED MOBILITY.

