

## BasicCobra™

Ideal for above or below desk adjustment  
and medical cart applications



Height adjusts without knobs or levers; simply move the keyboard tray to the desired position and release. Optional positive tilt lock-out feature can be factory supplied or field installed.

Counterbalance design offsets keyboard weight during height and tilt adjustment. Slim profile provides maximum knee clearance, whether in use or retracted for storage. Rear swivel rotates 360° for optimal keyboard tray positioning and easy storage. Heavy gauge steel design provides maximum keyboard stability.

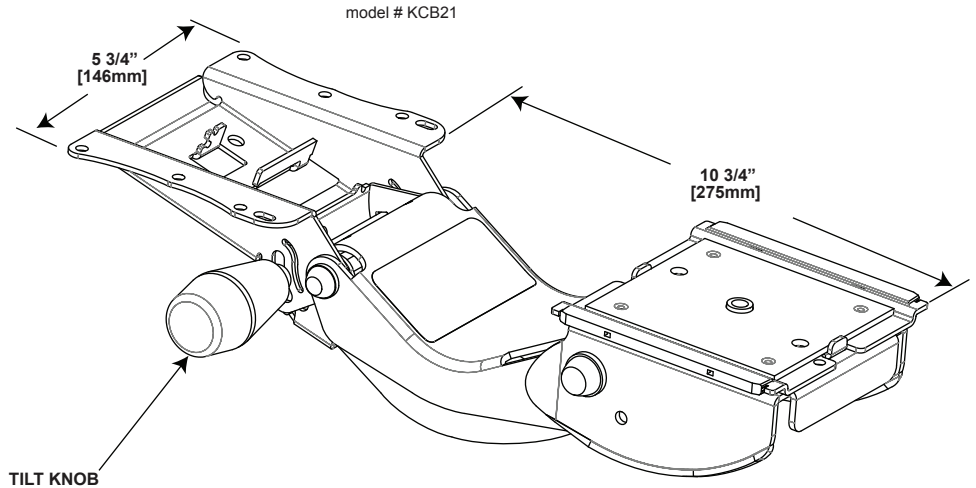


INNOVATIVE IDEAS IN WORKPLACE COMFORT



## Basic Cobra™ Advantages:

- Soft-touch knob for tilt adjustment (+10°/-20°).
- Counterbalance spring helps offset keyboard weight during height adjustments.
- 8" total height adjustment range (3" above; 5" below the mounting point).
- No knob, lever, or ratchet handle required to set height; simply lift to desired position and release.
- 21" track included. Other track lengths available.
- Rugged steel construction finished in a durable black, white, or silver textured powder coat.
- Meets or Exceeds ANSI / BIFMA Industry Standards.
- All mounting hardware and instructions included.
- Made in the USA.



## BASIC COBRA SPECIFICATIONS

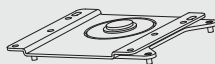
HEIGHT ADJUSTMENT	
ABOVE	3" (76 mm)
DOWN	5" (127 mm)
TOTAL	8" (203 mm)
HEIGHT SET BY	LIFT AND RELEASE
HEIGHT INDICATOR	NO
+10° / -20° TILT SET BY	SOFT TOUCH KNOB
TILT INDICATOR	NO
REAR SWIVEL	360°
FULLY RETRACTABLE	YES, ON 21" TRACK (INCLUDED)
ANSI/BIFMA X5.5-2008	YES, EXCEEDS
MATERIAL	STEEL
FINISH	BLACK, SILVER OR WHITE TEXTURED POWDERCOAT

## NEGATIVE-TILT ONLY

AVAILABLE WITH ALL BASIC COBRA™ TRAY SETS, A "POSITIVE TILT LOCKOUT PIN" CAN BE EITHER FACTORY OR FIELD INSTALLED SO ARM OPERATES ONLY IN THE NEGATIVE TILT DIRECTION.

INDICATE "NEGATIVE TILT ONLY" ON YOUR ORDER.

## FRONT SWIVEL OPTION 25396



OPTIONAL FRONT SWIVEL TURNS THE BASIC COBRA™ INTO A DUAL SWIVEL FOR INCREASED MOBILITY.



**ERGONOMIC ACCESSORIES INC.**

1166 Gorham St. Unit 2  
Newmarket, ON L3Y 8W4  
(905) 830-4441  
www.eaergo.com