

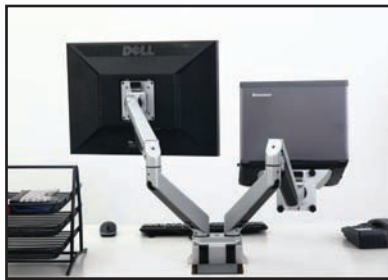
# Advantage Series Monitor Arms

The ultimate blend of form, function and value. Meet the new benchmark in monitor arms.

The Advantage Series is our benchmark radial arm product offering. Requiring only a fingertip's pressure to adjust the monitor height and equally user friendly adjustments for horizontal extension, monitor rotation and tilt this product checks all the boxes. With standard quick disconnect, it is a breeze to install and reconfigure. This monitor arm will keep you viewing your monitor in complete comfort and style for years to come.



innovative ideas in workplace comfort



### Radial Dual Panel Arm

horizontal max 23 3/4" (590mm)  
vertical min 6 3/4" (175mm) to max 20 1/4" (515mm)

#### Models

Model #	Monitor Weight	List Price
LA2-4422S	4 1/2 - 22 lbs 2 - 10 kgs	\$745

- available in black (B) silver (S) and white (W)
- black (B) and white (W) may require extended lead time and/or minimum order



top-down desk clamp



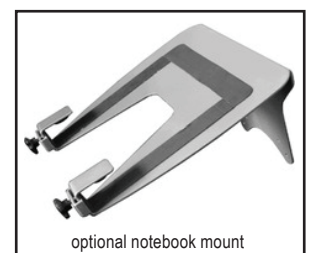
quick release mount



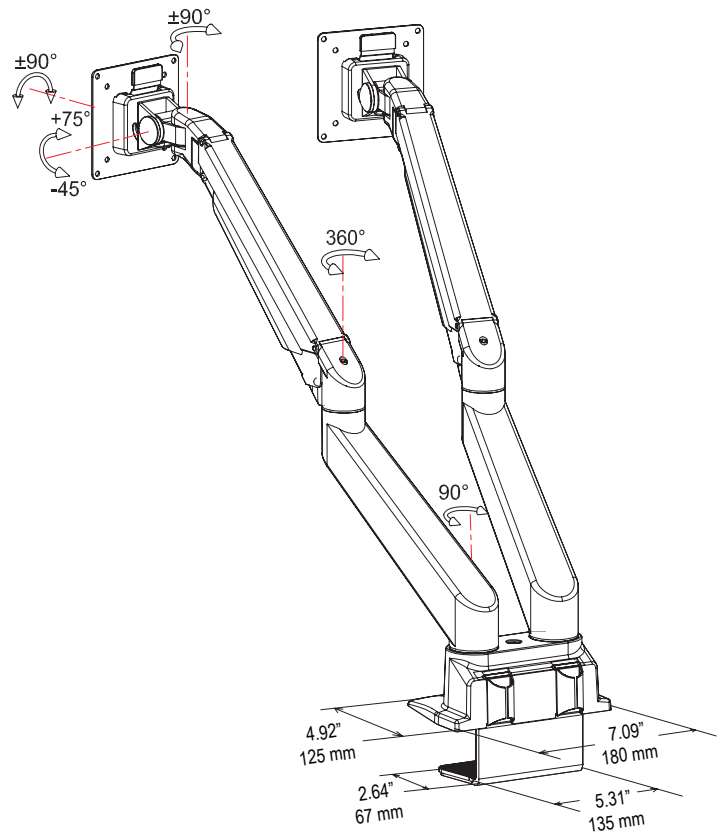
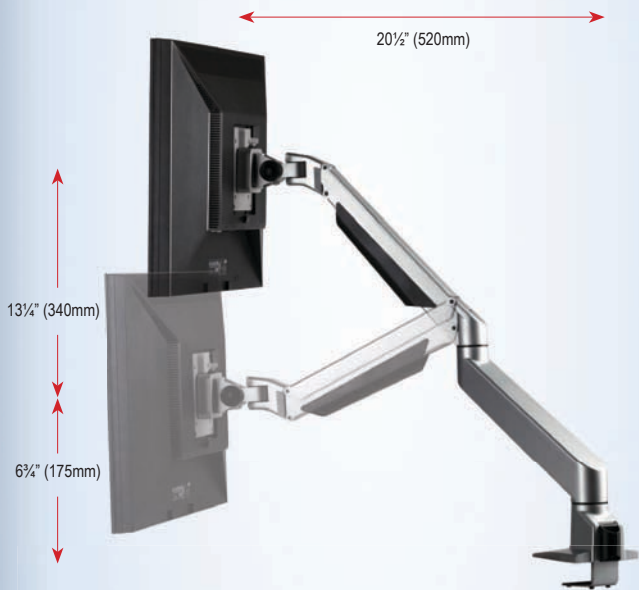
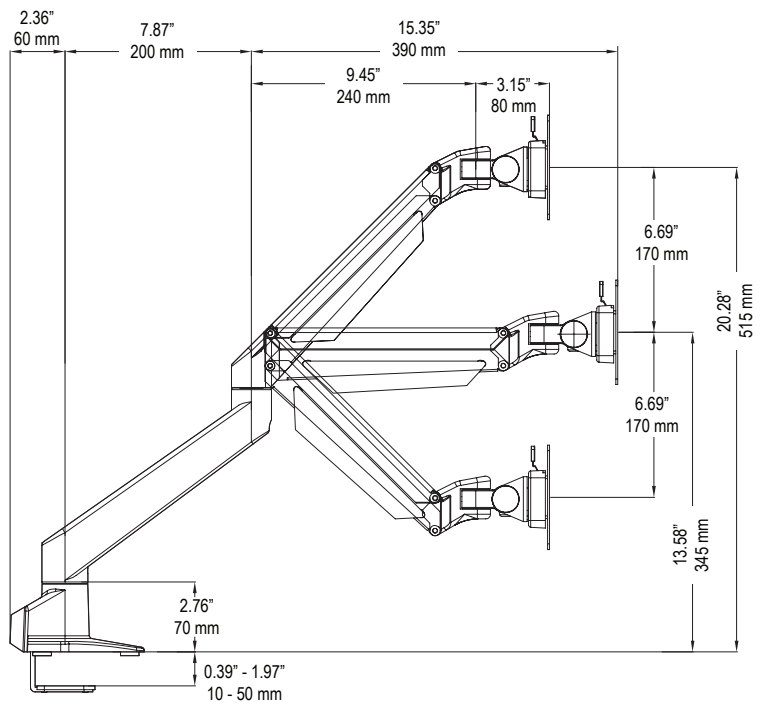
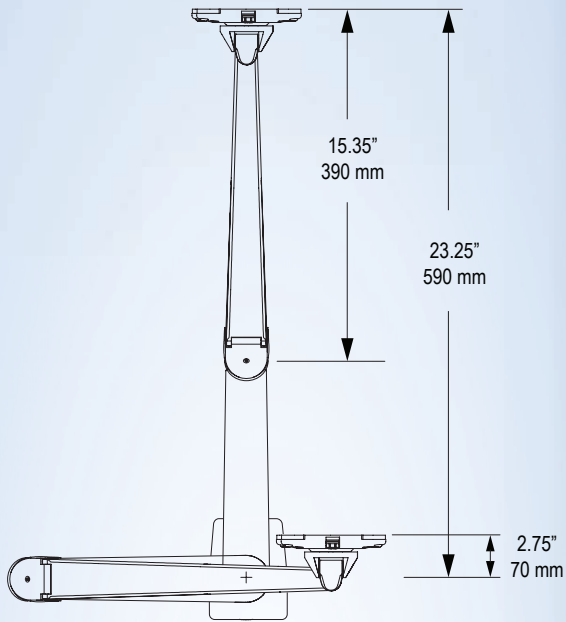
integrated wire management



easy monitor weight adjustment



optional notebook mount



Online at: [www.eaergo.com](http://www.eaergo.com)



**ERGONOMIC ACCESSORIES INC.**

innovative ideas in workplace comfort

1166 Gorham St, Unit 2  
 Newmarket, Ontario L3Y 8W4  
 (905) 830-4441  
 info@eaergo.com